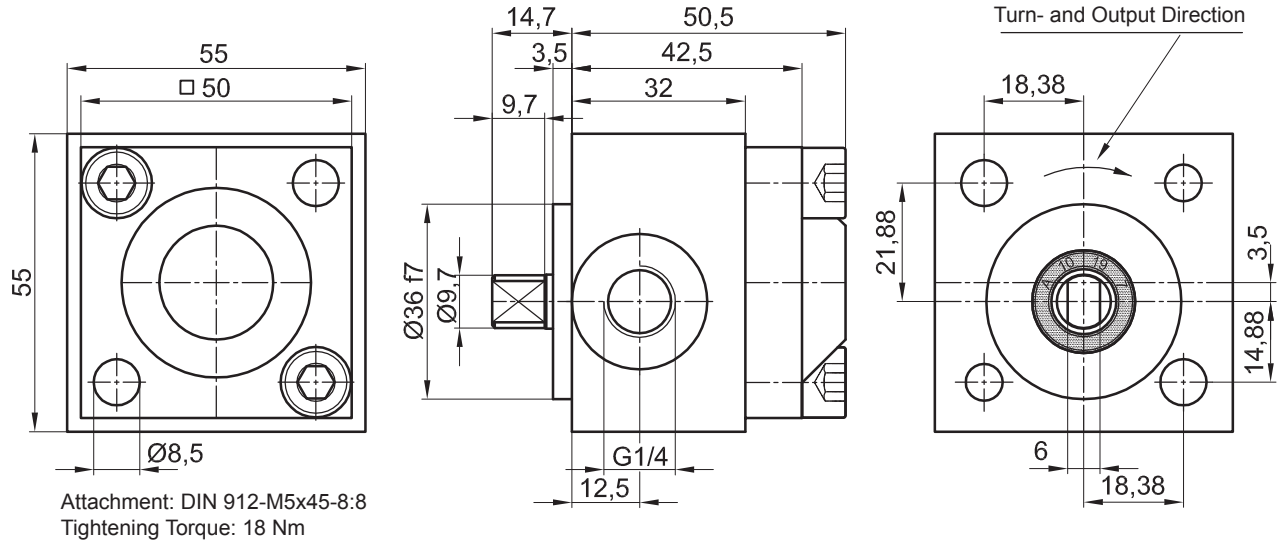


Internal Gear Driven Pump IPZ 2 - HR 12 Standard with 1,75 ccm/RPM

Default Design (Clockwise Shaft Rotation Viewed)



Symbol:



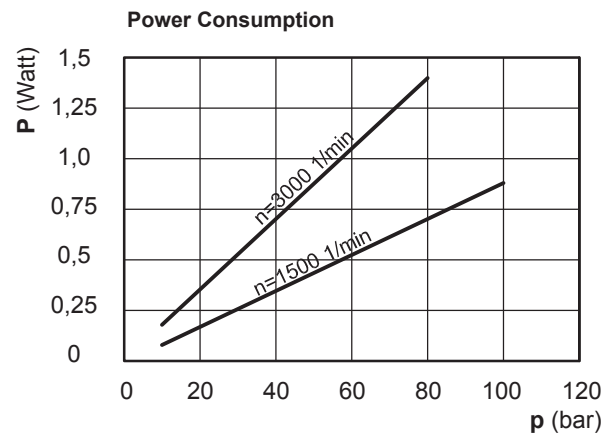
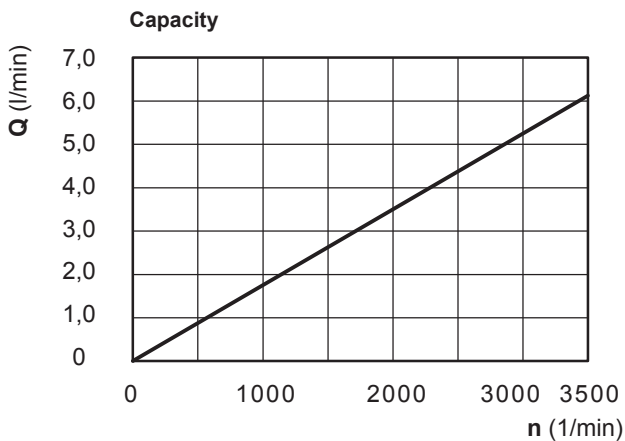
The technical data are based on a viscosity of 46 sq mm/s

ccm/ rpm	Press./bar max.		RPM max.		RPM min.	Mass	Order No.
	P1	P max	Press. P1	Depress.	Press. P1		
1,75	75	110	2500	3500	800	810 g	10009-143

P1 = Working Pressure max. P max. = Pressure Peak

Working Pressure / bar							
Capacity at 1.500 RPM (l/min)							
Power Consumpt./W at 1.500 RPM							
bar	10	20	40	60	80	100	120
l/min	2,6	2,6	2,6	2,5	2,5	2,5	
kW	0,08	0,17	0,35	0,53	0,70	0,88	

Working Pressure / bar							
Capacity at 3.000 RPM (l/min)							
Power Consumpt./W at 3.000 RPM							
bar	10	20	40	60	80	100	120
l/min	5,2	5,2	5,2	5,1	5,1		
kW	0,18	0,35	0,70	1,05	1,40		



Please specify Pressure, RPM, Temperature, Gain and the Duty Cycle by ordering!



Jung-Fluidtechnik GmbH
Mohrenstrasse 7
D-76275 Ettlingen

Phone +49 (0) 7243-14648
Fax: +49 (0) 7243-17996
E-Mail: info@jung-fluid.de

Data Sheet

IPZ 2 - HR 12
subject to modifications