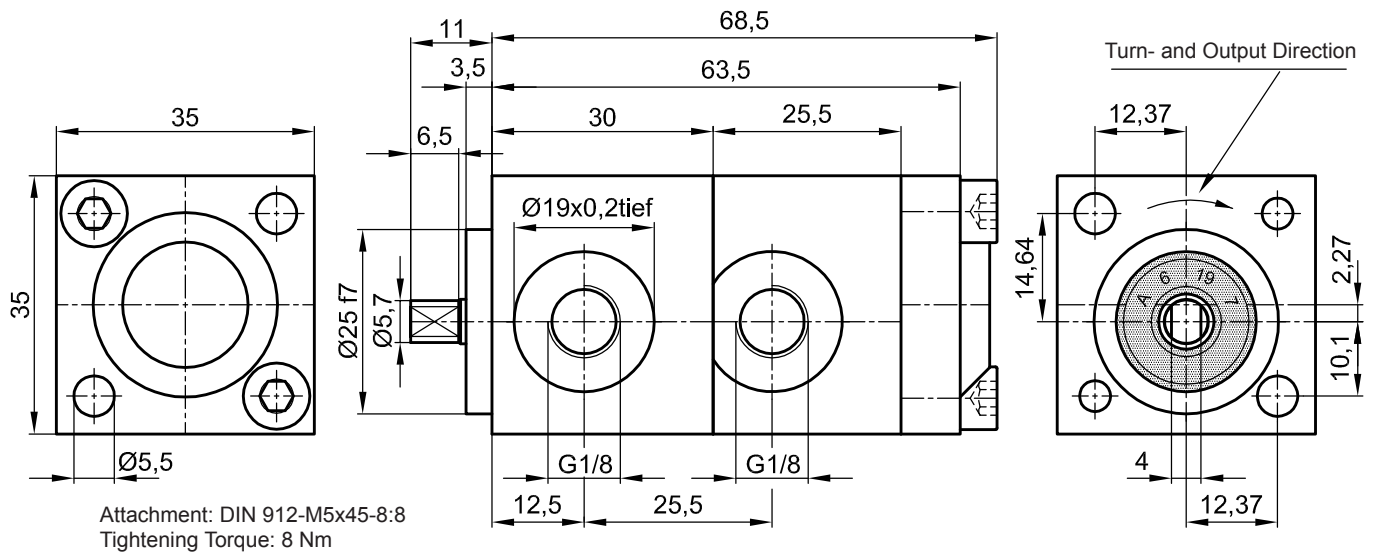


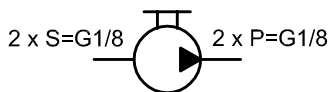
Internal Gear Driven Pump IPZ 1 - HR 5 Double with 2 x 0,30 ccm/RPM

Default Design (Clockwise Shaft Rotation Viewed)



The technical data are based on a viscosity of 46 sq mm/s

Symbol:

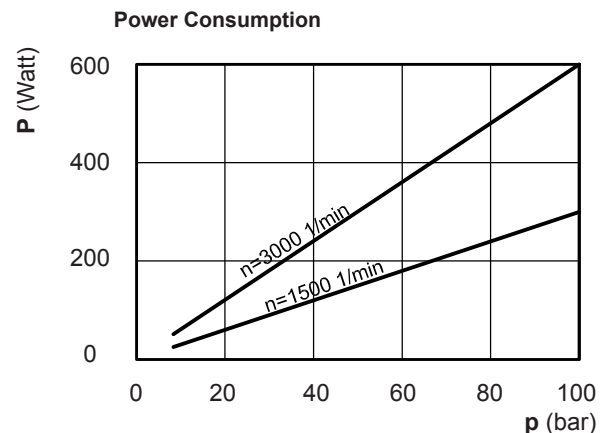
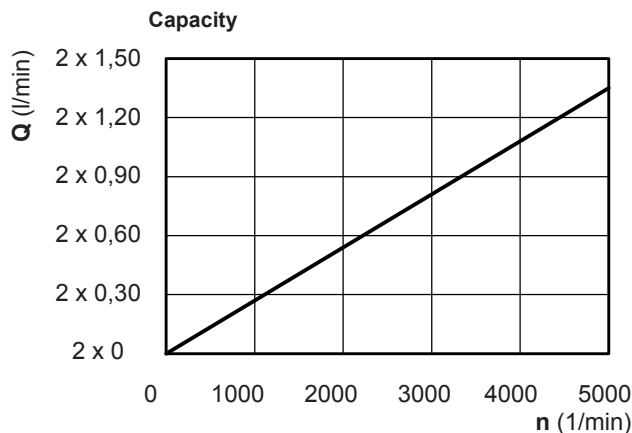


ccm/ rpm	Press./bar max.		RPM max.		RPM min.	Mass	Order No.
	P1	P max	Press. P1	Depress.	Press. P1		
2 x 0,30	80	100	4000	5000	1000	500 g	30080-142

P1 = Working Pressure max. P max. = Pressure Peak

Working Pressure / bar						
Capacity at 1.500 RPM (l/min)						
Power Consumpt./W at 1.500 RPM						
bar	2x10	2x20	2x40	2x60	2x80	2x100
l/min	2x0,44	2x0,43	2x0,42	2x0,39	2x0,36	2x0,32
Watt	30	60	120	180	240	300

Working Pressure / bar						
Capacity at 3.000 RPM (l/min)						
Power Consumpt./W at 3.000 RPM						
bar	2x10	2x20	2x40	2x60	2x80	2x100
l/min	2x0,89	2x0,88	2x0,86	2x0,84	2x0,80	2x0,77
Watt	60	120	240	360	480	600



Please specify Pressure, RPM, Temperature, Gain and the Duty Cycle by ordering!



Jung-Fluidtechnik GmbH
Mohrenstrasse 7
D-76275 Ettlingen

Phone +49 (0) 7243-14648
Fax: +49 (0) 7243-17996
E-Mail: info@jung-fluid.de

Data Sheet
2x IPZ 1-HR 5
subject to modifications